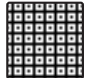




Diamond with Handset Volume Custom Faceplate Worksheet

Faceplate Part Number 601-1460-00A001

1	ABC 2	DEF 3	MESSAGE  WAITING
GHI 4	JKL 5	MNO 6	
PRS 7	TUV 8	WXY 9	
	OPER 0	##	 HANDSET VOLUME

(Data)

Date

Customer Name/Location

Contact

Phone No.

Fax No.

Paper Color*

Ink Color*

*Use PMS numbers when applicable

Quantity

Please Note: For MESSAGE WAITING, REDIAL, CALL WAITING, and HANDSET VOLUME keys the text shown is the default.

Any change from default shown must be noted.

Comments/Instructions

Scale: Actual

Note: Customer Agrees to provide all service information (e.g. preprogramming codes, final signed approval of printer's proof) 30 days prior to delivery date. Customer acknowledges that delivery of faceplates is not less than 10 working days following approval of final proof. Teledex reserves the right to decline faceplate/support services as deemed necessary.